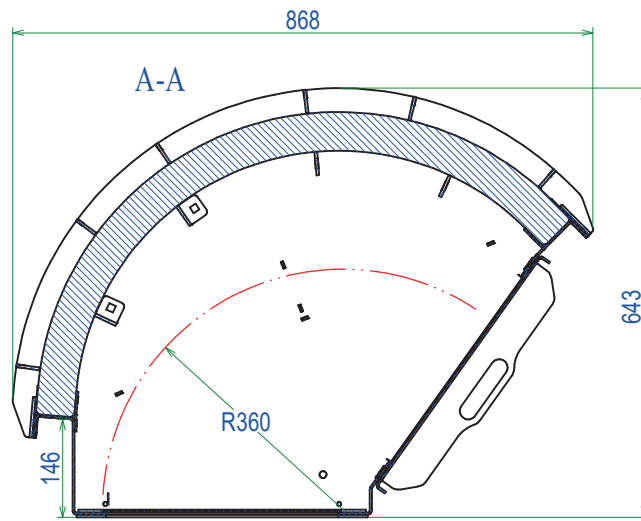
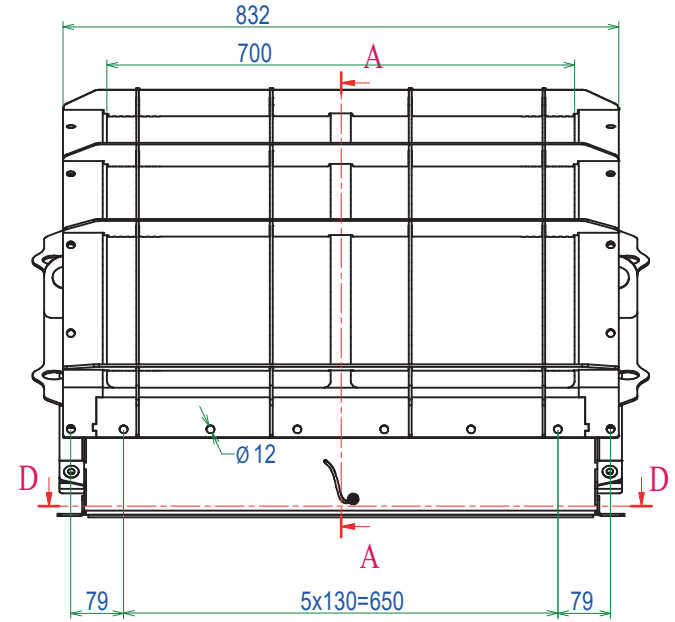


Inspection door

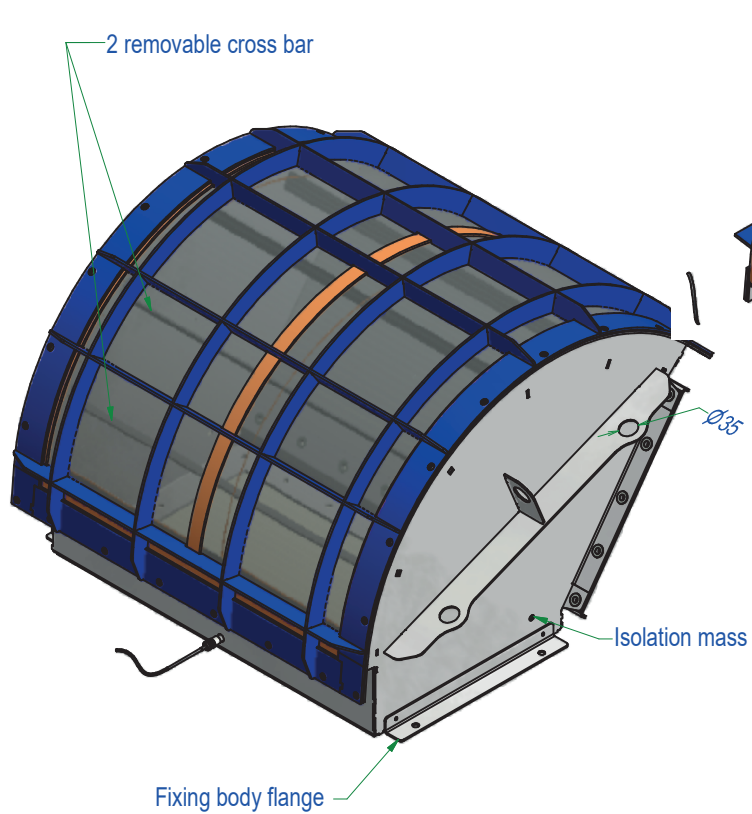
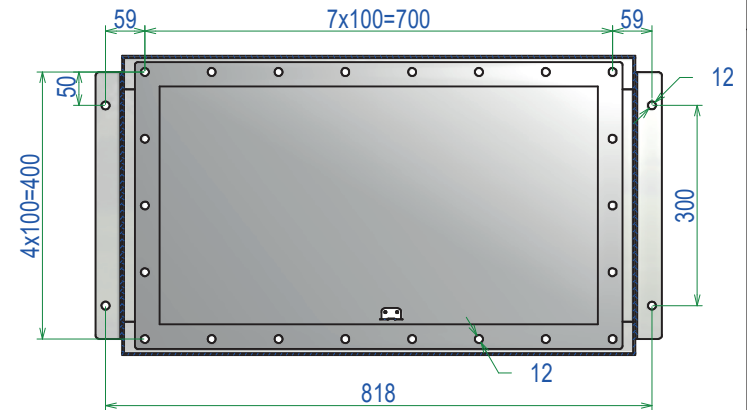


A-A

R360



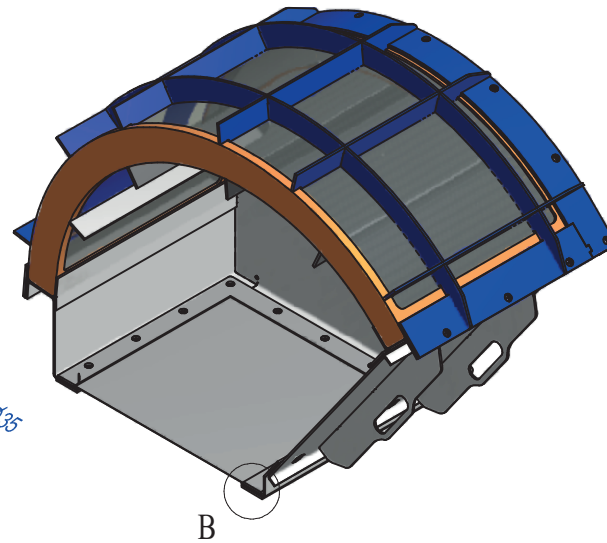
D-D : Hole pattern



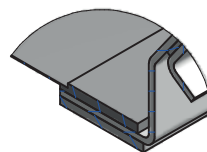
2 removable cross bar

Isolation mass

Fixing body flange



B : detail



**SAFEVENT**  
 Mads Clausens Vej 6  
 9800 Hjoerring  
 Denmark



**TEL:** +45 88 63 89 00  
**EMAIL:** kd@safevent.dk  
**WEB:** www.safevent.dk/en