

# INDUCTIVE SENSOR

## XS118BLPAL2

**SAFEVENT**  
Mads Clausens Vej 6  
9800 Hjørring  
Danmark



**TLF:** +45 88 63 89 00  
**EMAIL:** kd@safevent.dk  
**WEB:** www.safevent.dk/

### DATA SHEET: XS118BLPAL2 inductive sensor XS1 M18 - L53mm - brass - Sn5mm - 12..24VDC - cable 2m



#### MAIN

<b>Range of product</b>	OsiSense XS
<b>Series name</b>	General purpose
<b>Sensor type</b>	Inductive proximity sensor
<b>Sensor name</b>	XS1
<b>Sensor design</b>	Cylindrical M18
<b>Size</b>	53 mm
<b>Body type</b>	Fixed
<b>Enclosure material</b>	Nickel plated brass
<b>Type of output signal</b>	Discrete
<b>Wiring technique</b>	3-wire
<b>[Sn] nominal sensing distance</b>	5 mm
<b>Discrete output function</b>	1 NO
<b>Discrete output type</b>	PNP
<b>Electrical connection</b>	Cable
<b>Cable length</b>	2 m
<b>[Us] rated supply voltage</b>	12...24 V DC with reverse polarity protection
<b>Switching capacity in mA</b>	<= 200 mA with overload and short-circuit protection
<b>IP degree of protection</b>	IP67 conforming to IEC 60529

# INDUCTIVE SENSOR

## XS118BLPAL2

**SAFEVENT**  
Mads Clausens Vej 6  
9800 Hjørring  
Danmark



**TLF:** +45 88 63 89 00  
**EMAIL:** kd@safevent.dk  
**WEB:** www.safevent.dk/

### Complementary

<b>ISO thread</b>	M18 x 1
<b>Detection face</b>	Frontal
<b>Detector flush mounting acceptance</b>	Flush mountable
<b>Material</b>	Metal
<b>Front material</b>	PBT
<b>Operating zone</b>	0...4 mm
<b>Differential travel</b>	1...15% of Sr
<b>Output circuit type</b>	DC
<b>Cable composition</b>	3 x 0.14 mm <sup>2</sup>
<b>Wire insulation material</b>	PVC
<b>Status LED</b>	1 LED yellow for output state
<b>Supply voltage limits</b>	10...36 V DC
<b>Switching frequency</b>	<= 1200 Hz
<b>Voltage drop</b>	<= 2 V at closed state
<b>Current consumption</b>	<= 10 mA at no-load
<b>Delay first up</b>	<= 15 ms
<b>Delay response</b>	<= 0.1 ms
<b>Delay recovery</b>	<= 0.3 ms
<b>Marking</b>	CE
<b>Threaded length</b>	41 mm
<b>Height</b>	18 mm
<b>Length</b>	53 mm
<b>Product weight</b>	0.105 kg

### ENVIRONMENT

<b>Product certifications</b>	CSA UL
<b>Ambient air temperature for operation</b>	-25...70 °C
<b>Ambient air temperature for storage</b>	-40...85 °C
<b>Vibration resistance</b>	25 gn amplitude = +/- 2 mm (f = 10...55 Hz) conforming to IEC 60068-2-6
<b>Shock resistance</b>	50 gn for 11 ms conforming to IEC 60068-2-27

### CONTRACTUAL WARRANTY

<b>Warranty period</b>	18 months
------------------------	-----------

# INDUCTIVE SENSOR

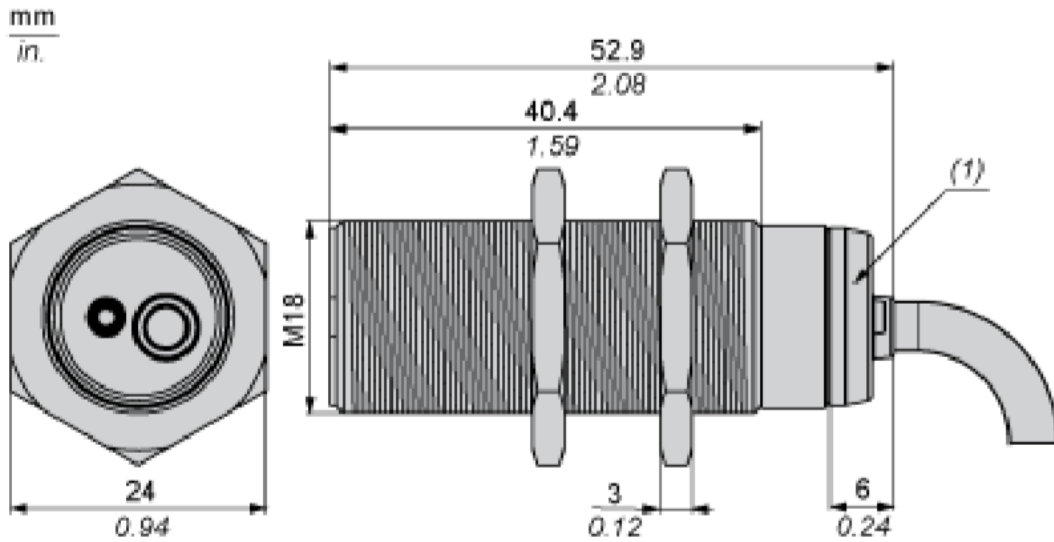
## XS118BLPAL2

**SAFEVENT**  
Mads Clausens Vej 6  
9800 Hjørring  
Danmark



**TLF:** +45 88 63 89 00  
**EMAIL:** kd@safevent.dk  
**WEB:** www.safevent.dk/

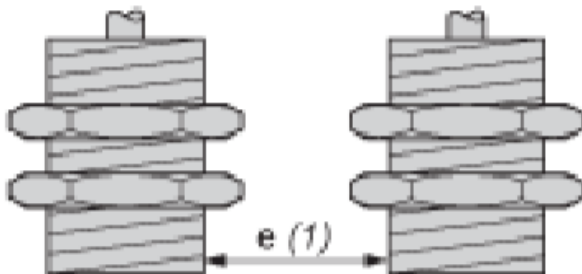
### DIMENSIONS



(1) LED

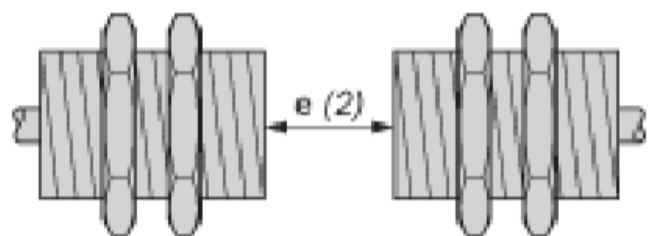
### MINIMUM MOUNTING DISTANCES

#### SIDE BY SIDE



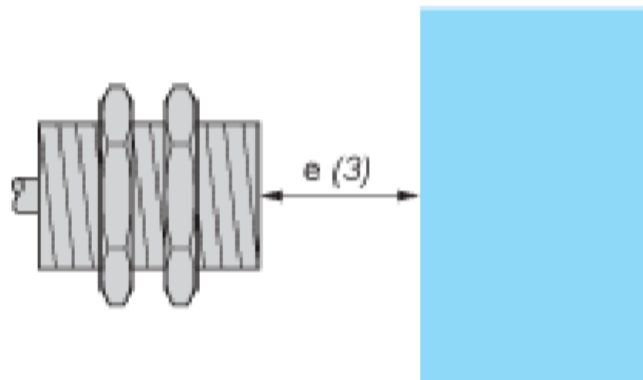
$e (1) \geq 10 \text{ mm} / 0.39 \text{ in.}$

#### FACE TO FACE



$e (2) \geq 60 \text{ mm} / 2.36 \text{ in.}$

#### FACING A METAL OBJECT



$e (3) \geq 15 \text{ mm} / 0.60 \text{ in.}$

# INDUCTIVE SENSOR

## XS118BLPAL2

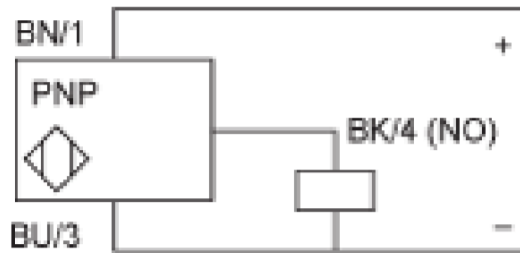
**SAFEVENT**  
Mads Clausens Vej 6  
9800 Hjørring  
Danmark



**TLF:** +45 88 63 89 00  
**EMAIL:** kd@safevent.dk  
**WEB:** www.safevent.dk/

### WIRING SCHEMES

#### PNP



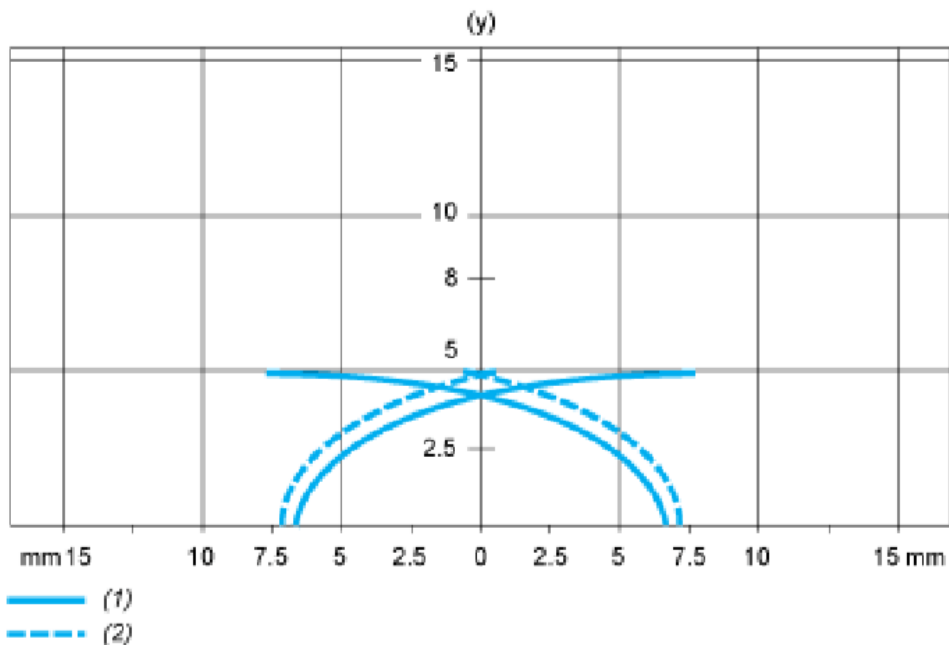
**BU:** Blue

**BN:** Brown

**BK:** Black

### PERFORMANCE CURVES

**STANDARD STEEL TARGET: 18x18x1 mm**



- (1) Pick-up points
- (2) Drop-out points (object approaching from the side)
- (y) Sensing distance in mm